

WELL-PRICED

F 18 - I **Proximity switch** **Retro-reflective light barrier** **Through-beam sensor**



Good sensor performance at a low price

The F 18-I opto line provides good sensor features at a low price.

The model range comprises all established sensor principles. Two proximity switches, two retro-reflective light barriers and a through-beam sensor are on offer, all in a robust M18 metal casing. All versions are available with PNP or NPN output and as plug or cable version. As standard, the devices operate with infrared light. The setting of the sensing distance is made by a readout potentiometer.

The retro-reflective light barrier is available with and without polarizing filter technique. The version with polarizing filter operates with visible red light.

All sensors are overload-proof and protected against polarity reversal and short-circuits.

For all retro-reflective sensors, the reflector RD46 is included in the delivery.

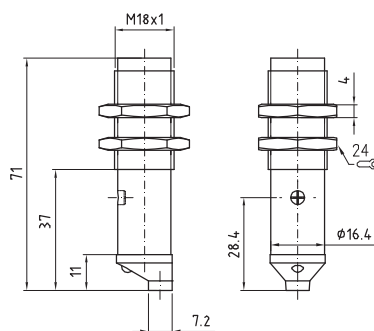
Features

- *Favorable price*
- *Complete model range*
- *Robust metal casing*
- *Cable or plug connection*
- *Infrared or red light*
- *Short-circuit and polarity reversal protection*
- *Setting by potentiometer*
- *N.C. / N.O. selectable*
- *Versions with polarizing filter available*

Technical data		F 18-I
Electrical data		
Operating voltage	10 ... 30V DC	
Switching frequency	200 Hz/330 Hz depending on version	
Power consumption	< 30 mA	
Polarity reversal/short-circuit protection	Yes	
Max. output current	100 mA	
Signal outputs	PNP or NPN (N.O./N.C. selectable)	
Protection class	□	
Utilization category	DC I2	
Mechanical data		
Casing	M18, metal	
Protection standard	IP64	
Ambient temperature range	-10 ... +55°C	
Storage temperature range	-25 ... +65°C	
Weight	50 g (plug version)/100 g (cable version)	
Type of connection	Plug M12, 4-pin or cable	
Versions		
	Designation	Working range (typ.)
Energetic proximity switch, red light	FT 18-I R ...	400 mm
Energetic proximity switch, infrared light	FT 18-I ID ...	800 mm
Retro-reflective sensor, infrared light	FR 18-I I ...	2 m (RD 46), 4 m (R 5)
Retro-reflective sensor, red light with polarizing filter	FR 18-I R ...	1 m (RD 46), 2 m (R 5)
Through-beam sensor, infrared	FSE 18-I I ...	8 m
Accessories		
Cable	e.g. L4-2m-G-PUR (Art. 902-50805)	
Reflectors	RD 46 (Art. 904-51572 - included) R 5 (Art. 904-51533 - for increased sensing ranges)	
Mounting bracket	MA 18 (Art. 041-01304)	

Dimensional drawing

Cable version



Plug version

