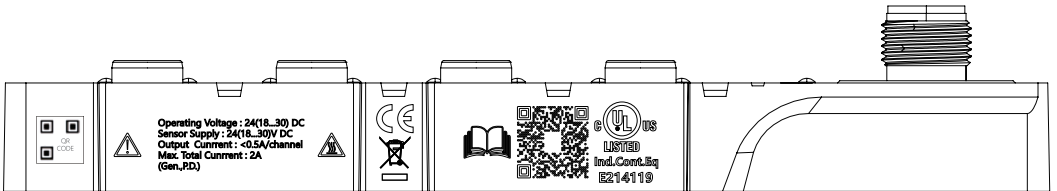
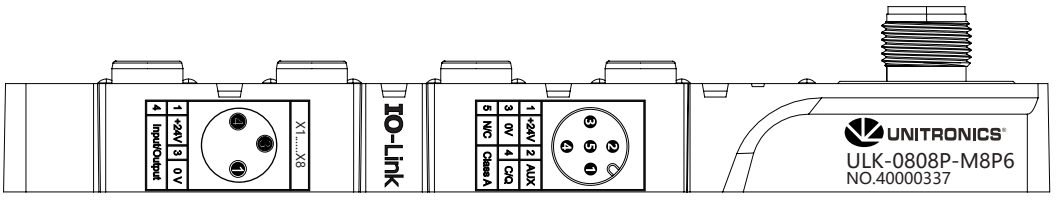
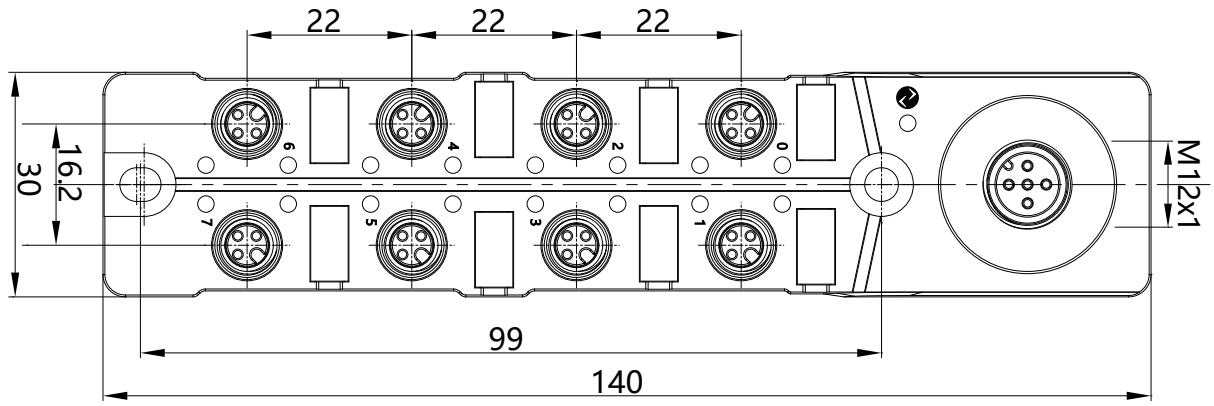


REV	CHG.	DATE	DESCRIPTION	REVISION



LEFT



SOURCE DRAWING-FOR REFERENCE ONLY

APPROVED BY		DATE	
CHECKED BY		DATE	
DRAWING BY	Michael Lee	DATE	2023.11.20
TOLERANCE UNLESS OTHERWISE SPECIFIED	CABLE LENGTH	TOLERANCE	
	ALL LENGTHS	+4%(OR 50mm) OF LENGTH -0%(OR 0mm) OF LENGTH WHICHEVER IS GREATER	
	STRIP LENGTH	TOLERANCE	
	0-7mm	±1.0mm	
	8-29mm	±1.5mm	
	30-49mm	±2.0mm	
50-69mm	±3.0mm		
70-100mm	±4.0mm		
over 100mm	±5.0mm		

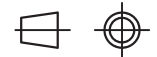


UNITS mm

DESCRIPTION:

ULK-0808P-M8P6

1st Angle Projection



PART NO.

REV	A	SHEET	1 OF 1
-----	---	-------	--------